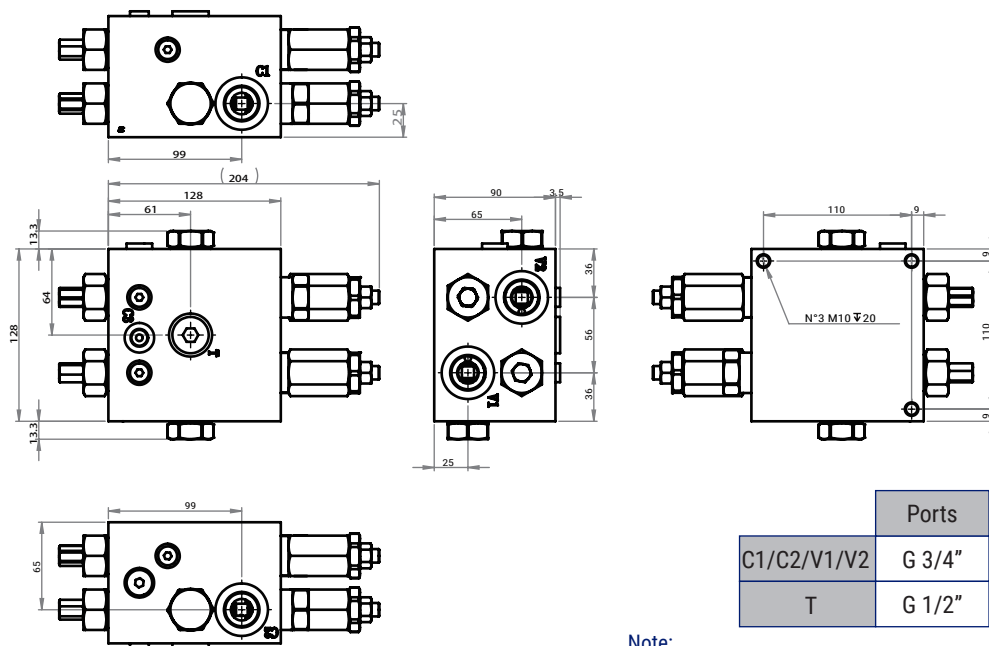
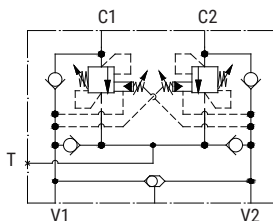


PG03-034-SN

IN LINE

TECHNICAL DATA

Nominal flow	120L/min
Max. working pressure	350bar
Setting range	100-350bar
Valve 1 Setting pressure	300bar
Valve 2 Setting pressure	120bar
Pilot ratio	7.6:1
Material	Steel



Ports	
C1/C2/V1/V2	G 3/4"
T	G 1/2"

Note:
Pressure setting must be 30% higher than pressure induced by the load.

ORDERING CODE



Ports
034 - G 3/4"