

PRESSURE RELIEF VALVE

RV01.M22

CARTRIDGE TYPE

TECHNICAL DATA

Max. flow	50L/min
Max. working pressure	350bar
Setting pressure	See below table
Material	Zn/Fe - standard(96h)
Version	Poppet type-Direct acting
Cavity	CL-M22
Installation torque	40-45Nm
Weight	0,176kg

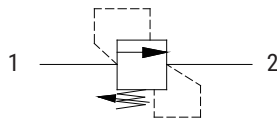
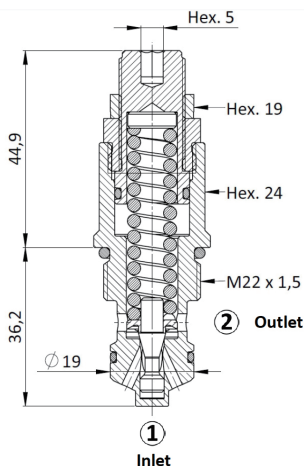


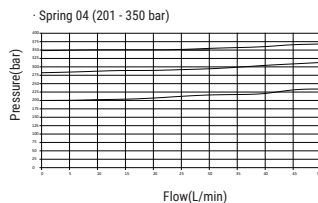
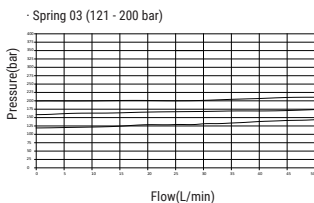
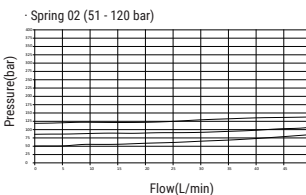
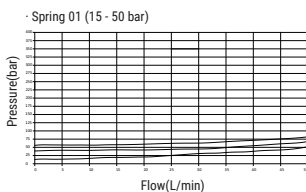
TABLE 1

Spring range (bar)	
01	15-50
02	51-120
03	121-200
04	201-350

· Recommended



p/Q performance



ORDERING CODE



Cavity M22= metric M22x1.5
 Spring range See table
 Pressure Setting 000 - No specific setting required